

Please note that the data given here has been taken from the online catalog. For comprehensive information and data, please refer to the user documentation at <http://www.download.phoenixcontact.com>. The General Terms and Conditions of Use apply to Internet downloads.

► Extract from the online catalog

Sensor/actuator box, with LED, pluggable connection and double-occupied slots



Order No.	1692352
Ord designation	SACB-4/ 8-L-C
EAN	4017918177997
Pack	1 Pcs.
Customs tariff	85366990
Catalog page information	Page 137 (PC-2005)

► Technical data

General data

Nominal voltage U_N	24 V DC
Max. operating voltage U_{max}	30 V DC
Ambient temperature (operation)	-25 ° C ... 75 ° C
Degree of protection	IP65/IP67
Number of positions	5
Max. current carrying capacity per path	2 A
SACB total current	10 A (Electrically isolated: 2 x 8)
Operating current of the indicator elements	≤ 5 mA
Number of slots	4
Sensor/actuator connection system	M 12 female connector

Local diagnostics function

Local diagnostics	Supply voltage per module LED green
Local diagnostics	Status display I/O Yellow LED

Master cable data

Type of connection	Pluggable master cable connection
Stripping length	7 mm
Conductor cross section AWG/kcmil min.	25
Conductor cross section AWG/kcmil max	16
Conductor cross section flexible min.	0.14 mm ²
Conductor cross section, flexible max.	1.5 mm ²
Conductor cross section AWG/kcmil min.	25
Conductor cross section AWG/kcmil max	16
Conductor cross section flexible min.	0.14 mm ²
Conductor cross section, flexible max.	1.5 mm ²
Max. cable diameter	12 mm

Insulation material

Insulating material	PA 6.6
Inflammability class acc. to UL 94	V0

► **Certificates**

CUL

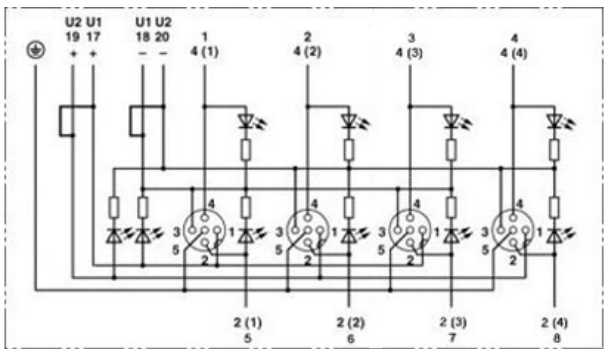
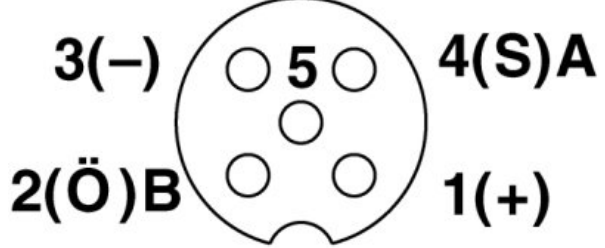
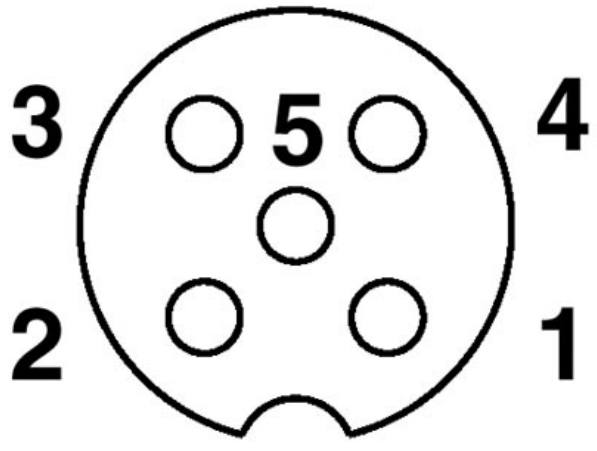
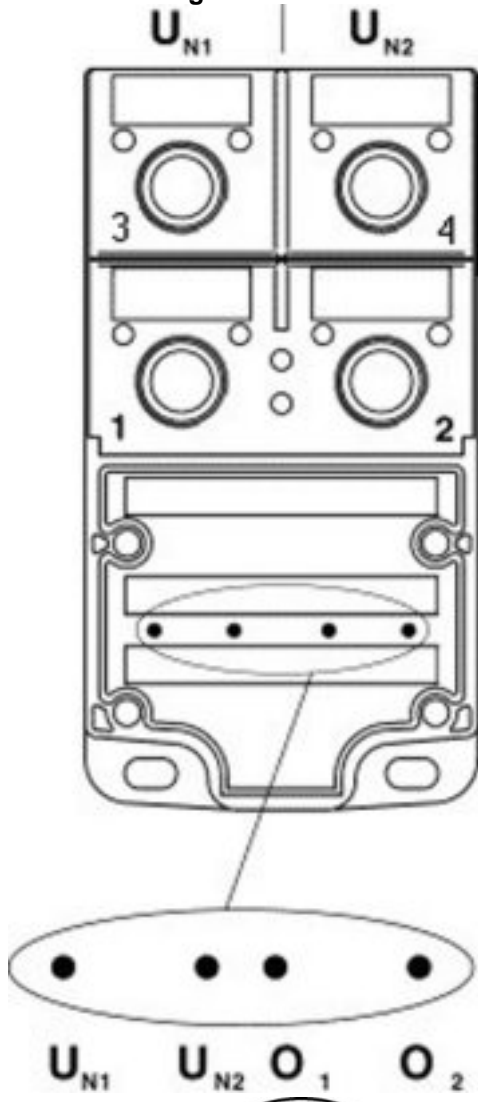
Nominal voltage U_N	24 V
AWG/kcmil	22-16

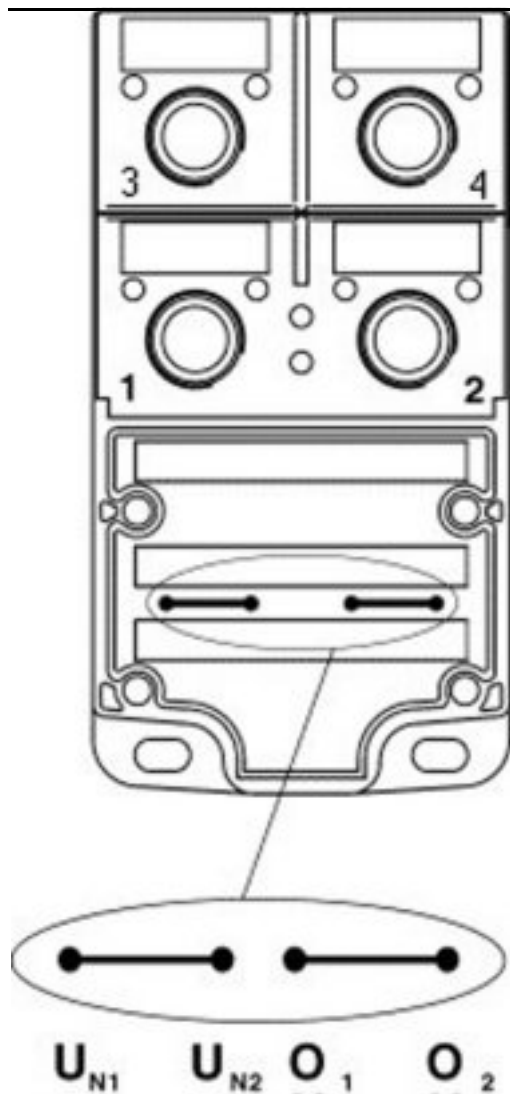
UL

Nominal voltage U_N	24 V
AWG/kcmil	22-16

▶ Drawings

Schematic diagram





Approval logo



► Accessories

Item	Designation	Description
Assembly		
1680539	PROT-M12	Sealing cap for closing unoccupied connections M12
Tools		
1206450	SZK PZ1	Screwdriver, suitable for Phillips screws Pozidriv/Supadriv, size: 1

► Address

PHOENIX CONTACT GmbH & Co. KG
Flachsmarktstr. 8
32825 Blomberg
Germany
Phone +49 5235 3 00
Fax +49 5235 3 41200
<http://www.phoenixcontact.com>
Phoenix Contact
Technical modifications reserved;